



RELIABLE
SCREEN SUPPLY

BARRIER-FREE ROLLER RETRACTABLE SCREENS

Hennesa® ITALIAN DESIGN

BARRIER-FREE ROLLER RETRACTABLE SCREEN



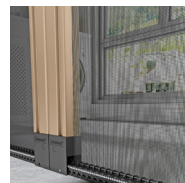
PRODUCT FEATURES

No bottom track which creates a barrier-free space.

The barrier-free design allows easy smooth access for prams, wheel chairs and bicycles.



1. Easy access



3. Ultra clear mesh to see through



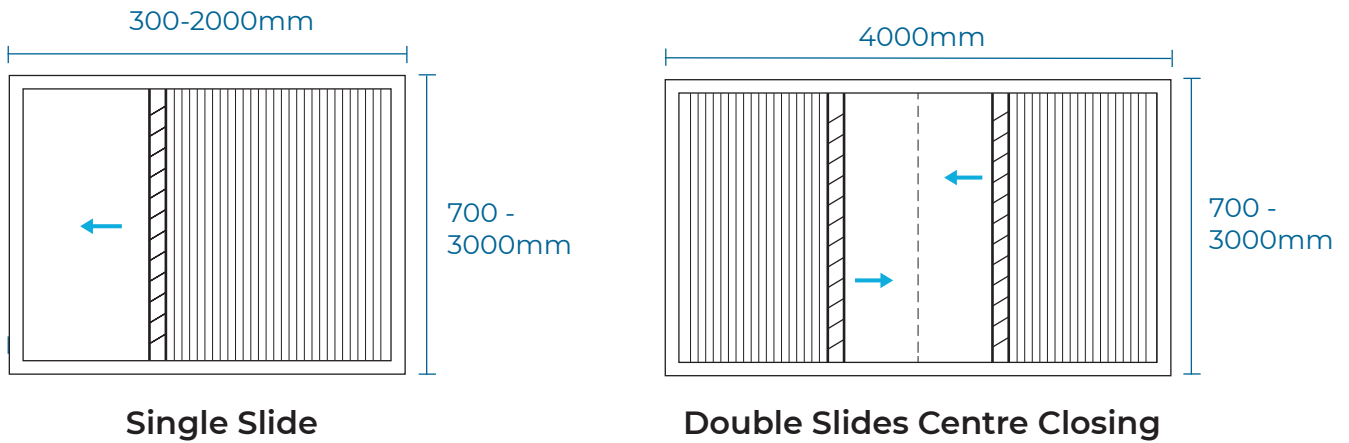
2. Easy to assemble and install



4. Stable gears for a smooth opening and closing

OPENING CONFIGURATION

Max (1 single panel) width is the screen height minus 100mm, e.g. h2000 – 100 = w1900



PRODUCT DETAILS

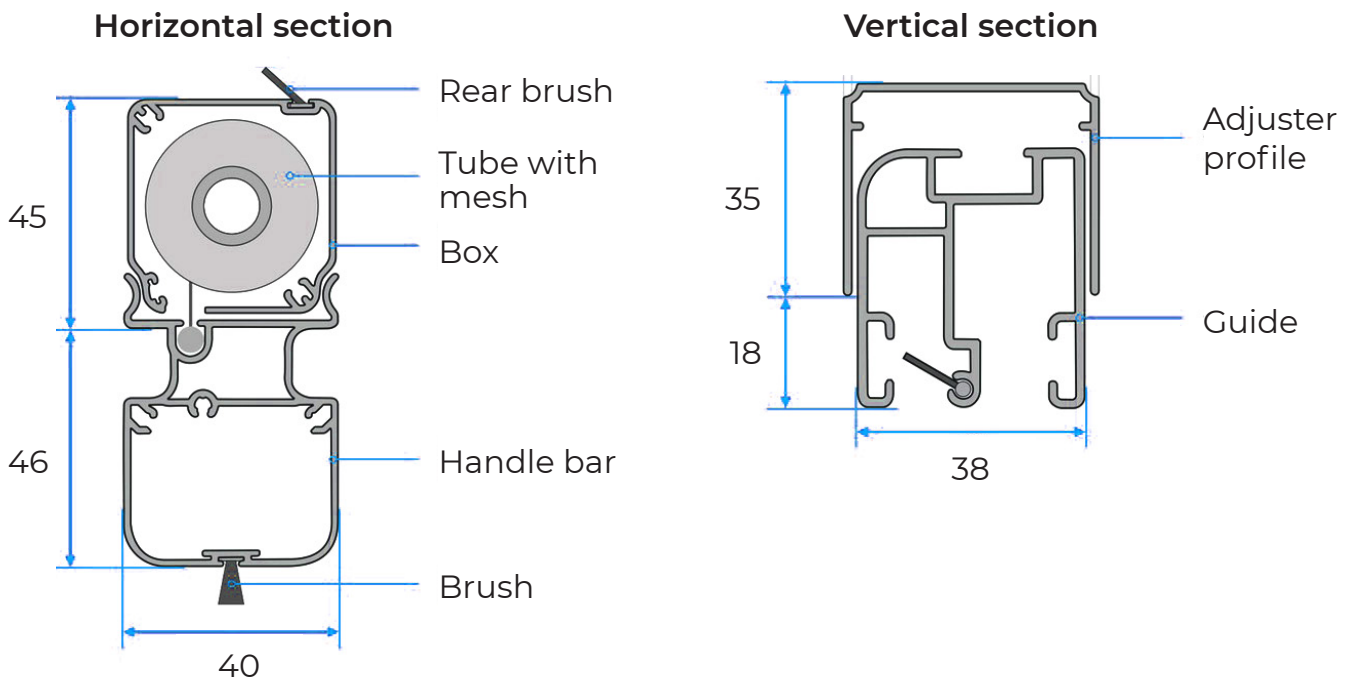
Frame colour options
White / Black / Dark Grey

Mesh colour options
Grey

Mesh Material
Fiberglass (3 years warranty)

Frame Material
Powder coated aluminium (5 years warranty)

TECHNICAL SPECIFICATION





Find us on 



reliablescreensupply.com.au

RELIABLE SCREEN SUPPLY AUSTRALIA

Email [RSSaus1@gmail](mailto:RSSaus1@gmail.com) / **Showroom** 66 Merivale Street, South Brisbane
Website reliablescreensupply.com.au / **Facebook** Reliable Screen Supply

RELIABLE SCREEN SUPPLY NEW ZEALAND

Email office@reliablescreen.co.nz / **Website** reliablescreen.co.nz
Phone 0800 477 879 / **Showroom** Unit 4/23 Springs Road, East Tamaki, Auckland